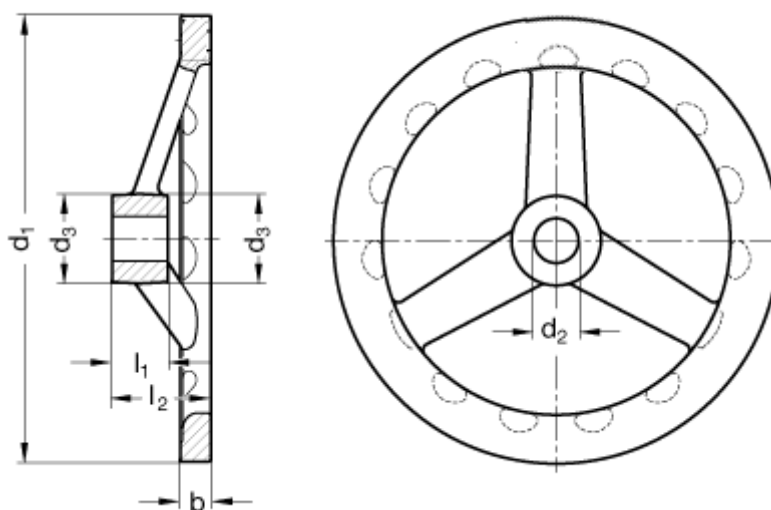


Article number: 201056314

Description: E+G Handwheel
GN 949-160-K14-A

Measures



A/F = 11

b = 11

d1 = 160

d2 = 14

d3 = 31

l1 = 20

l2 = 35,5

l3 = 71

Number of spokes = 3